

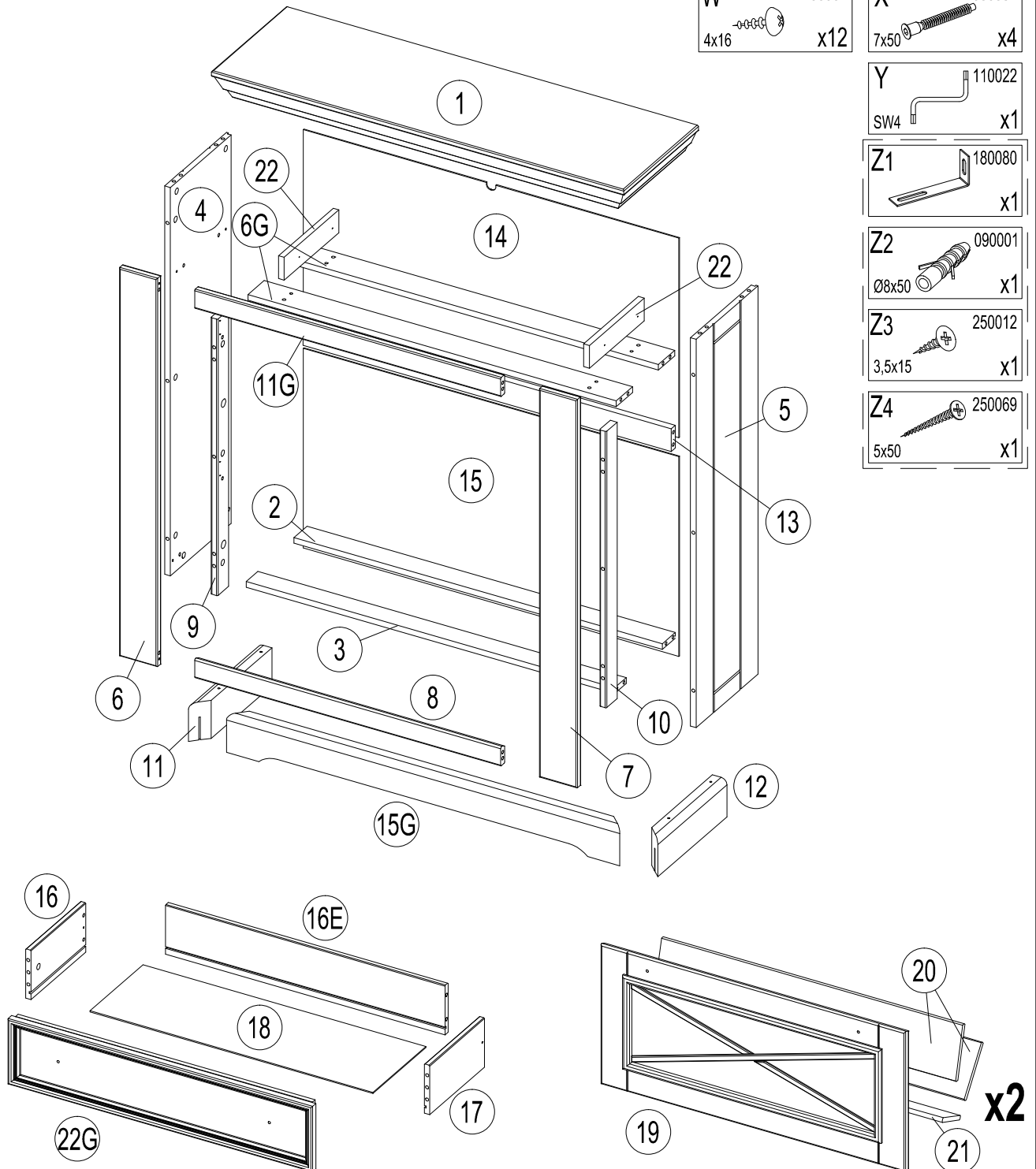
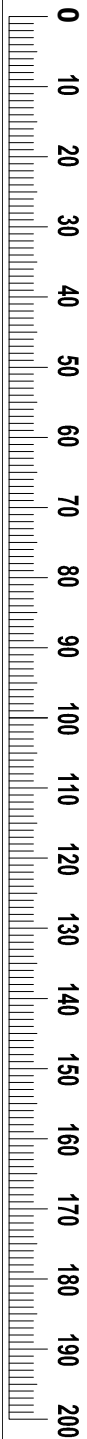
180 min

1-10

EAC

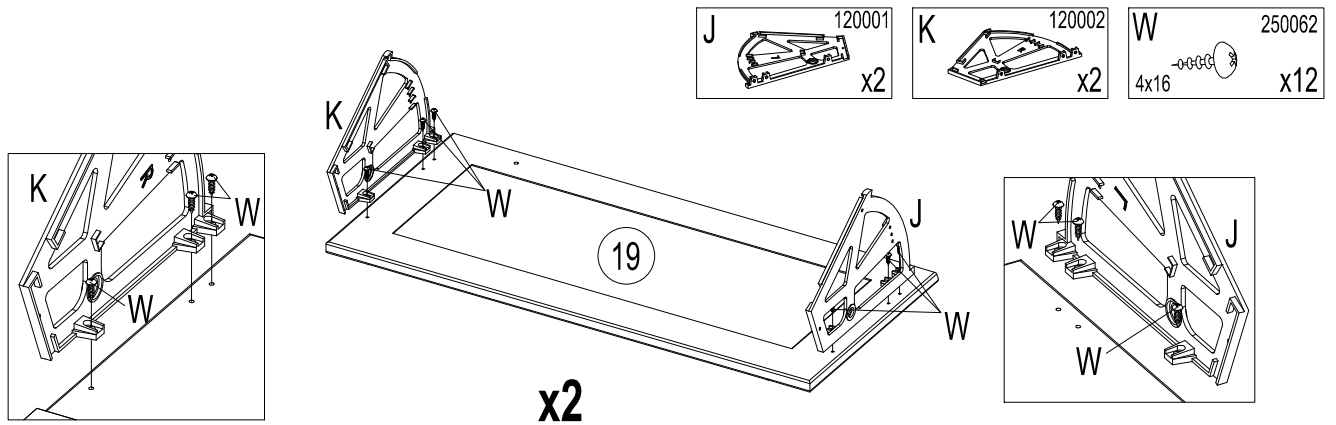
A 030093 x36	B 030110 x36	C 230010 x34	D 210020 x6	E 030052 M4x22 x4	F 030059 M4x18 x2
G 220043 1,2x20 x2	H 220017 60 mm x2	J 120001 x2	K 120002 x2	L 140006 x4	M 120004 x4
N 120003 x4	O 030028 6,3x13/Ø9 x4	P1 160025 250mm x1	P2 160025 250mm x1	P3 160025 250mm x1	P4 160025 250mm x1
Q a 110012 b x4	R 250001 2,5x16 x4	S 250004 3x13 x12	T 250012 3,5x15 x10	U 250013 3,5x15 x8	V 250024 3,5x35 x2
				W 250062 4x16 x12	X 030034 7x50 x4

Y 110022 SW4 x1
Z1 180080 x1
Z2 090001 Ø8x50 x1
Z3 250012 3,5x15 x1
Z4 250069 5x50 x1

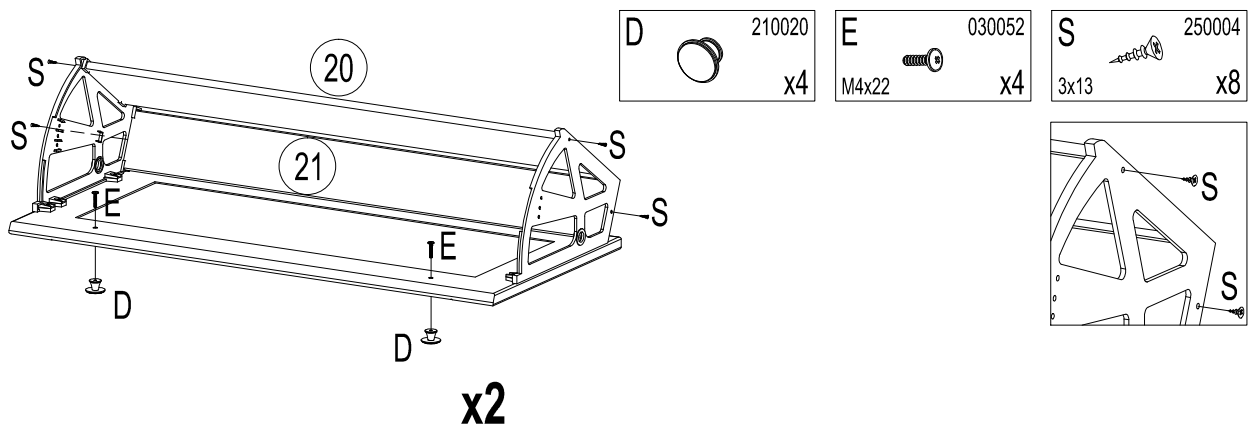


No	Size/MaB (mm)	Qty	✓	No	Size/MaB (mm)	Qty	✓
1	1086x340x77	1		15	989x526x3	1	
2	970x64x15	1		16	250x130x14	1	
3	970x53x15	1		17	250x130x14	1	
4	1023x282x15	1		18	745x242x3	1	
5	1023x282x15	1		19	802x368x27	4	
6	1023x100x18	1		20	793x139x11	4	
7	1023x100x18	1		21	793x88x11	2	
8	806x50x18	1		22	250x60x15	2	
9	728x50x18	1		16E	736x130x14	1	
10	728x50x18	1		6G	970x74x15	2	
11	315x100x38	1		11G	806x50x18	1	
12	315x100x38	1		15G	1036x100x38	1	
13	970x60x18	1		22G	802x172x33	1	
14	989x526x3	1					

1

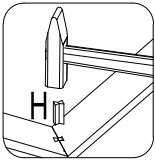
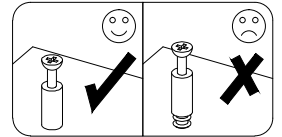
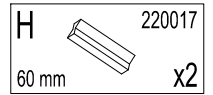
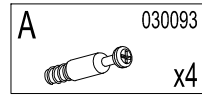
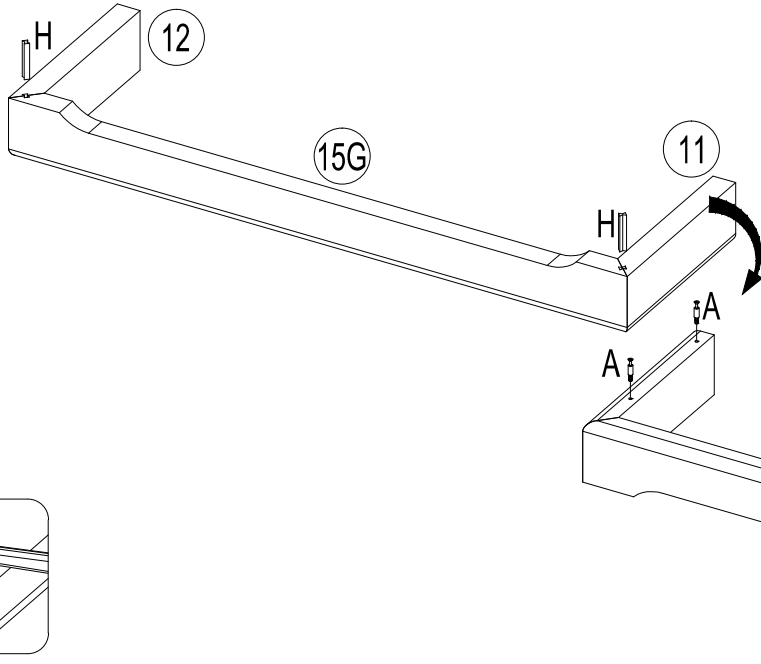


2

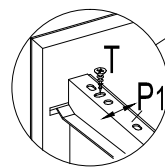
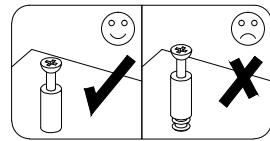
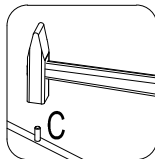
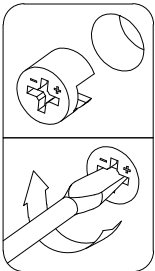
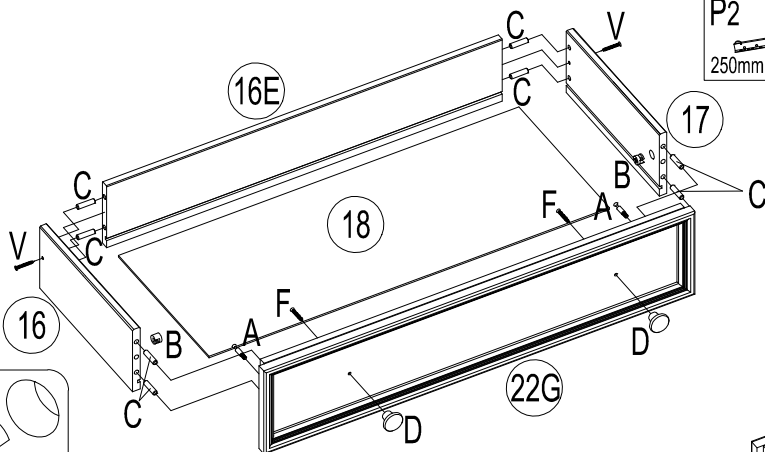
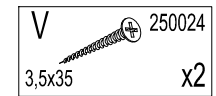
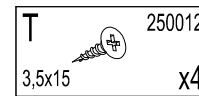
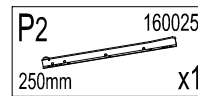
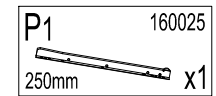
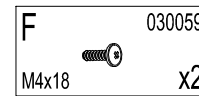
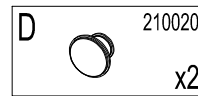
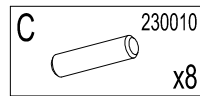
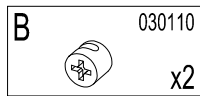
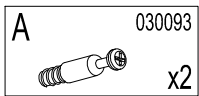


3-10

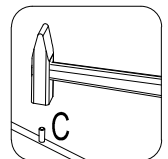
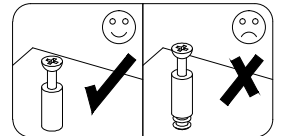
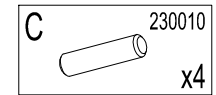
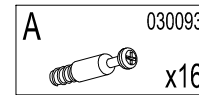
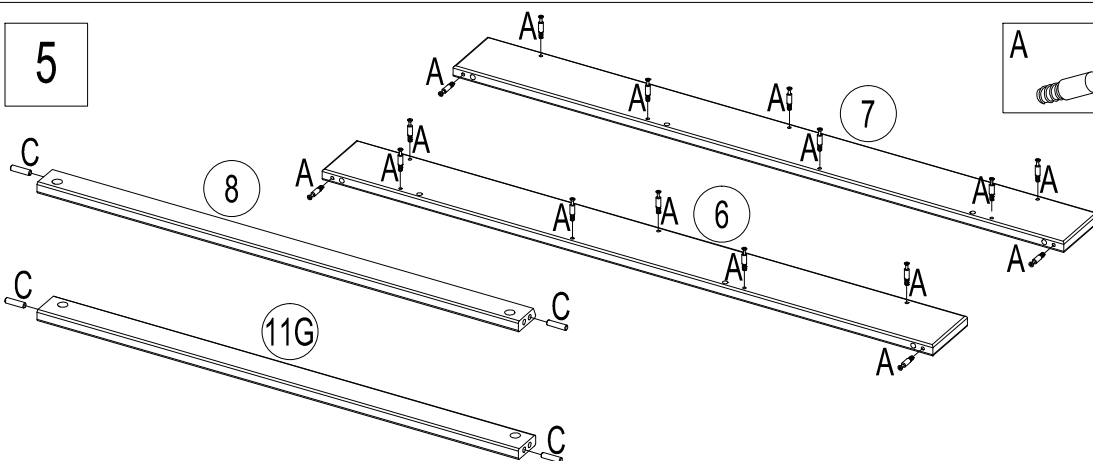
3



4



5



6

A 030093 x14

C 230010 x22

L 140006 x4

N 120003 x4

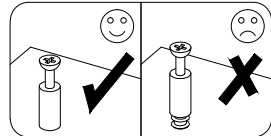
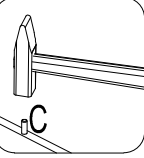
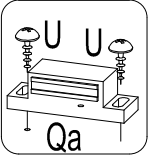
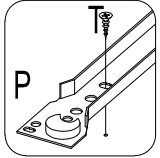
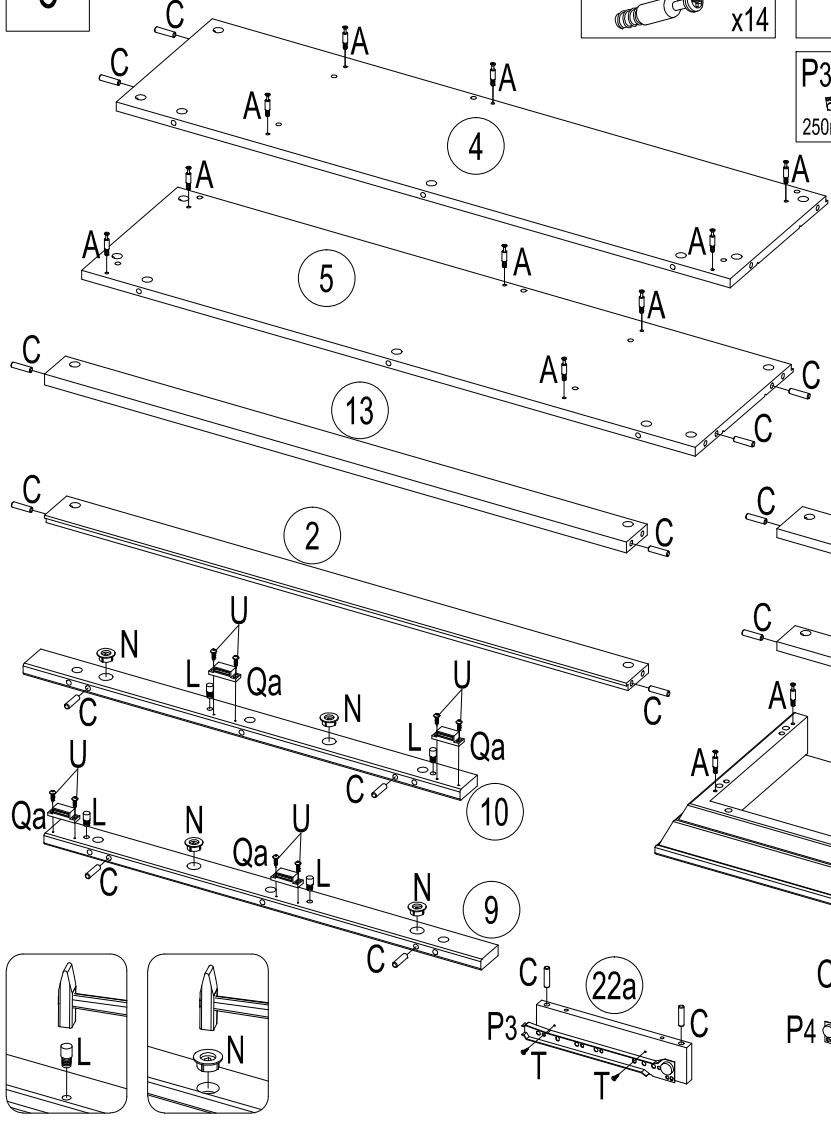
P3 160025 250mm x1

P4 160025 250mm x1

Q a 110012 x4

T 250012 3,5x15 x4

U 250013 3,5x15 x8



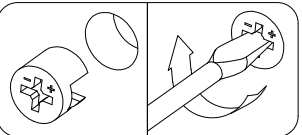
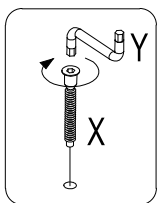
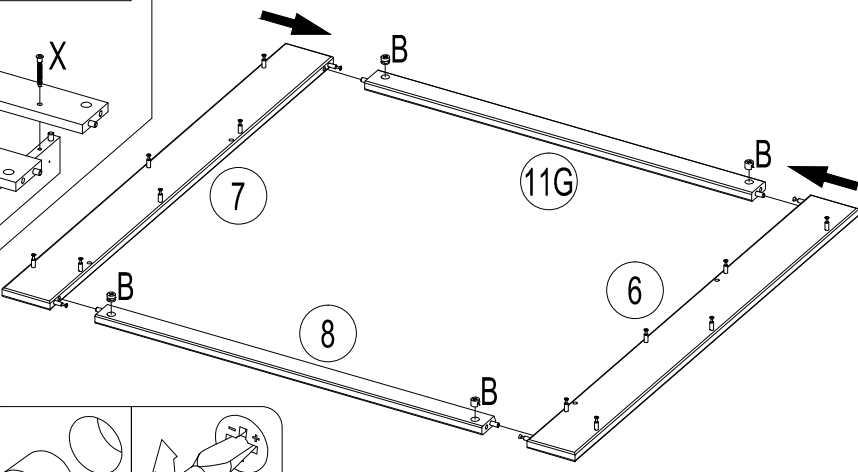
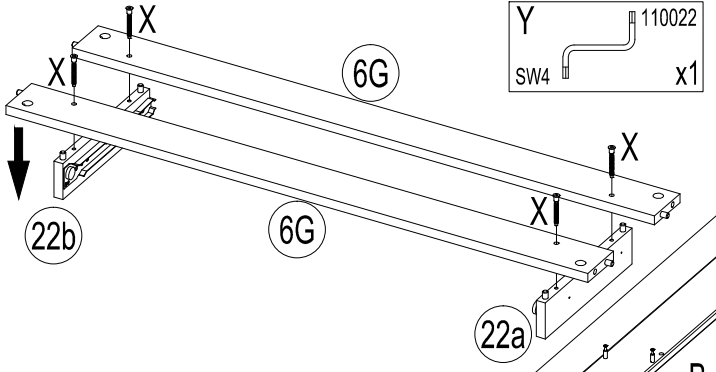
7

X 030034 7x50 x4

Y 110022 SW4 x1

8

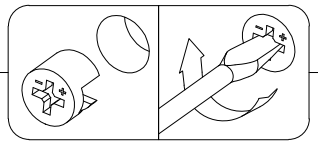
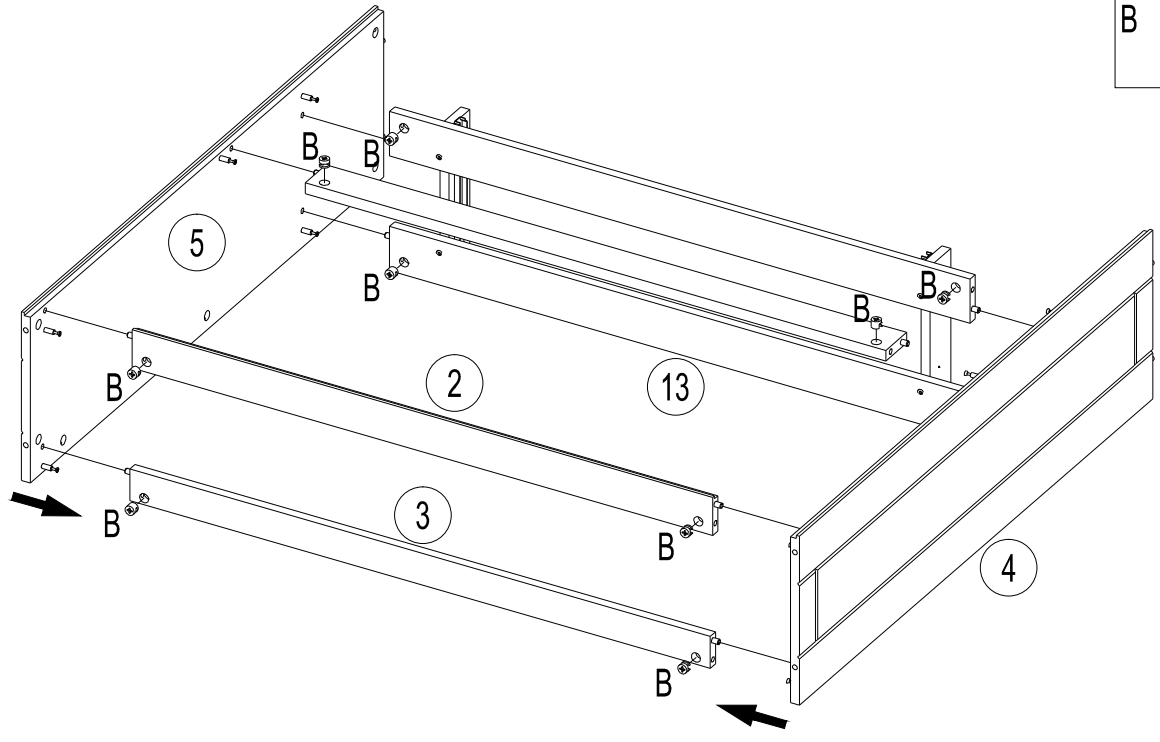
B 030110 x4



5-10

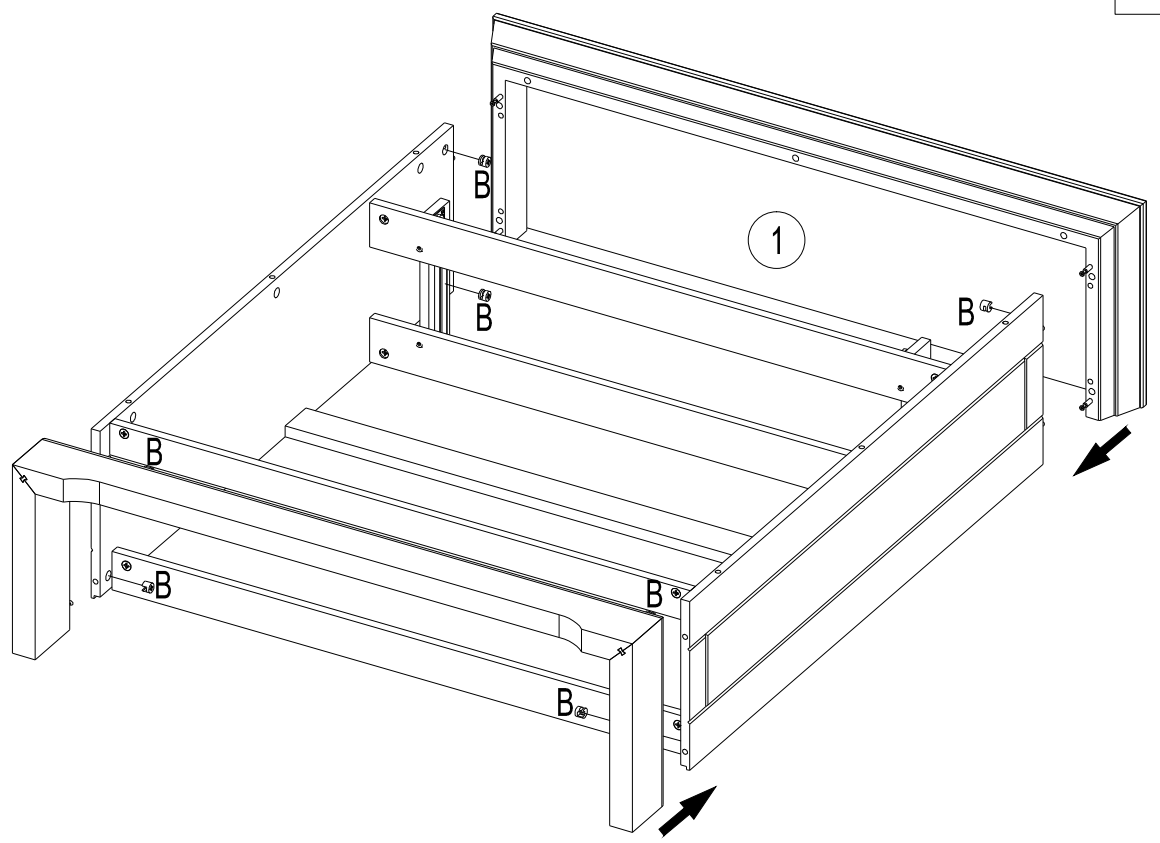
9

B 030110
x10



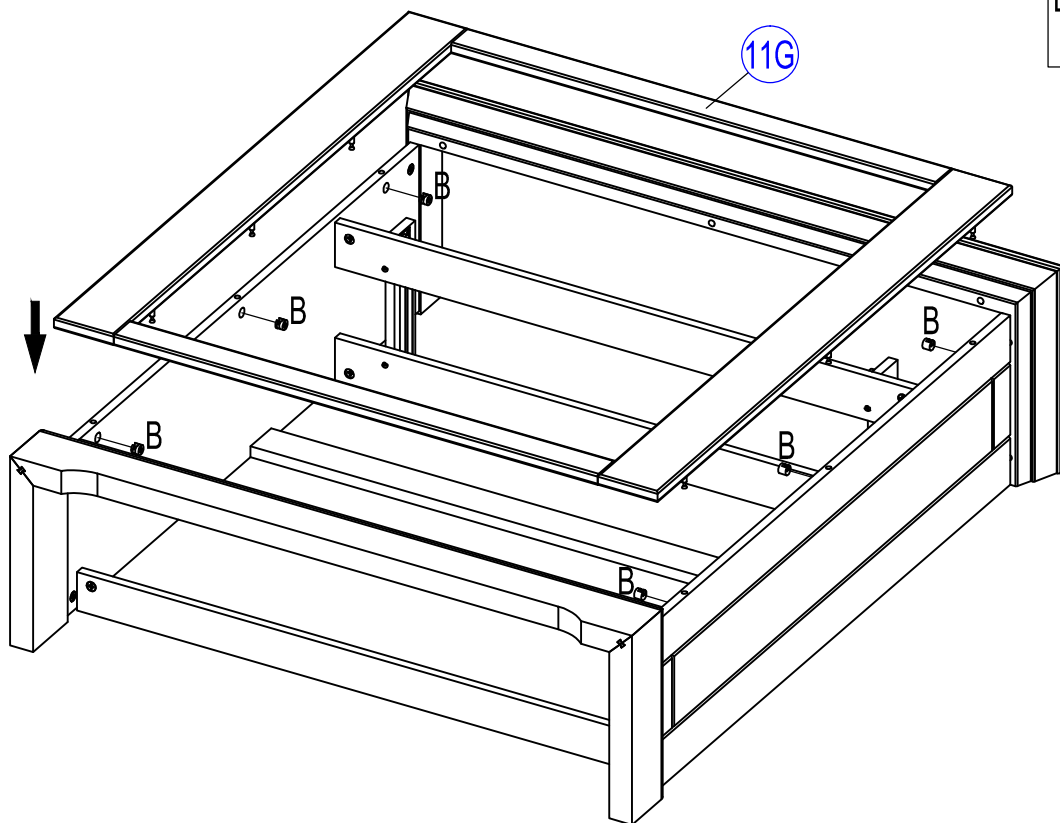
10

B 030110
x8

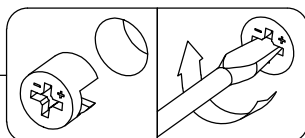


6-10

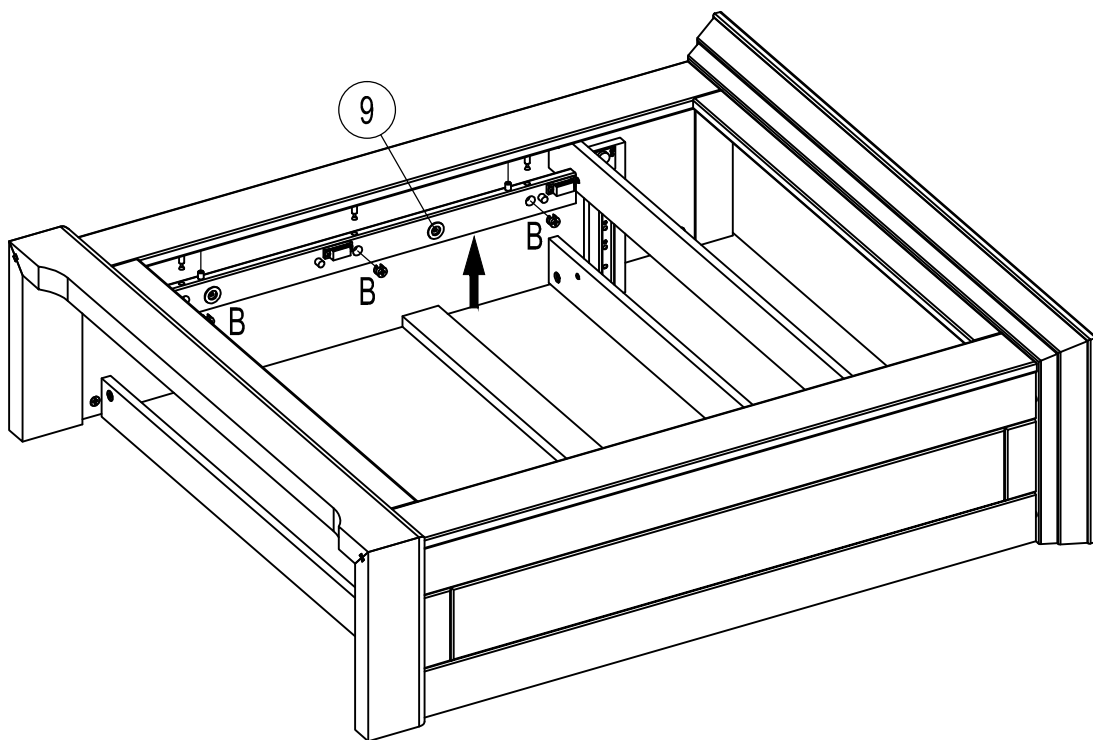
11



B 030110
x6



12

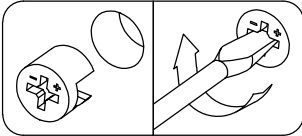
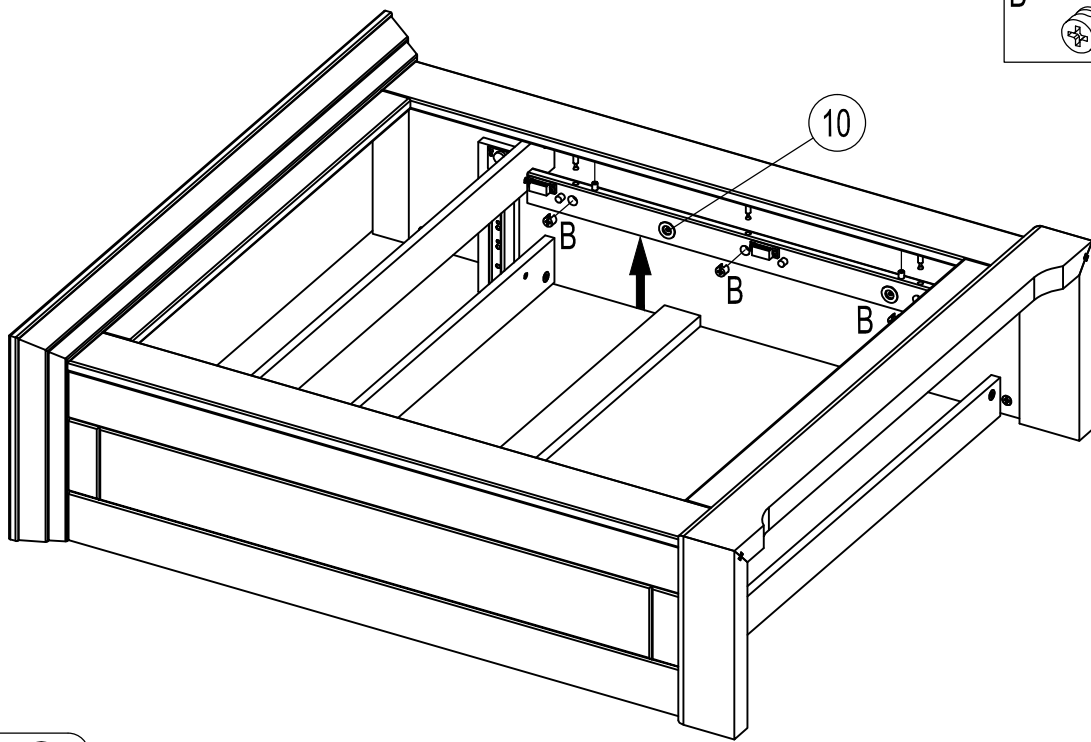


B 030110
x3

7-10

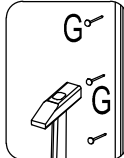
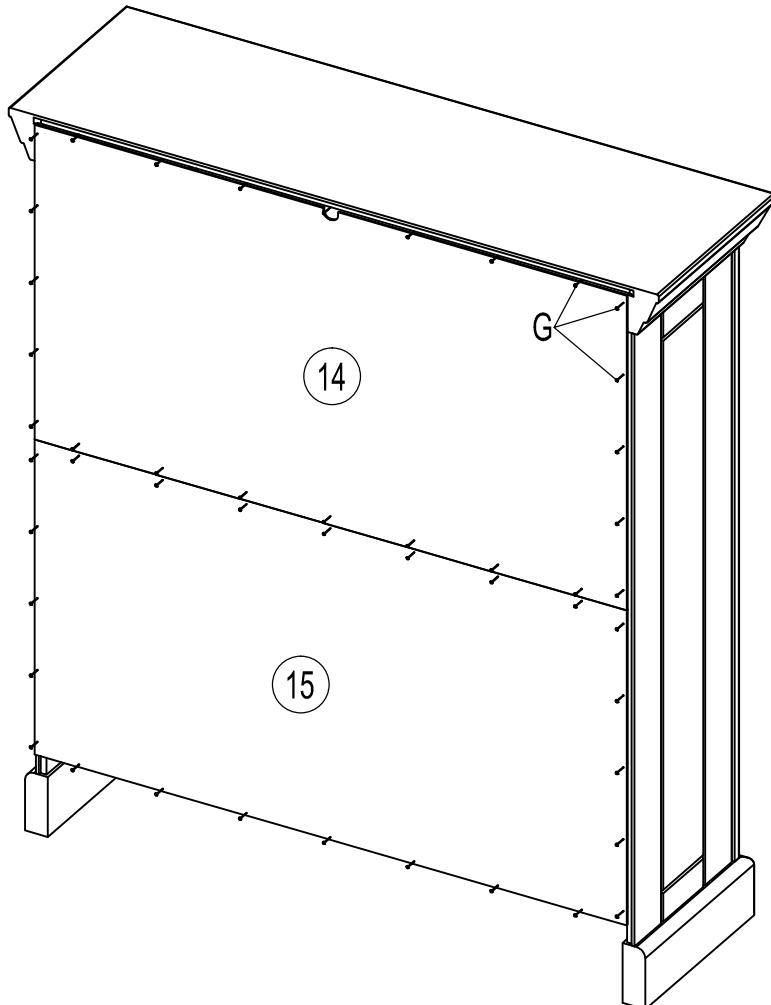
13

B 030110
x3



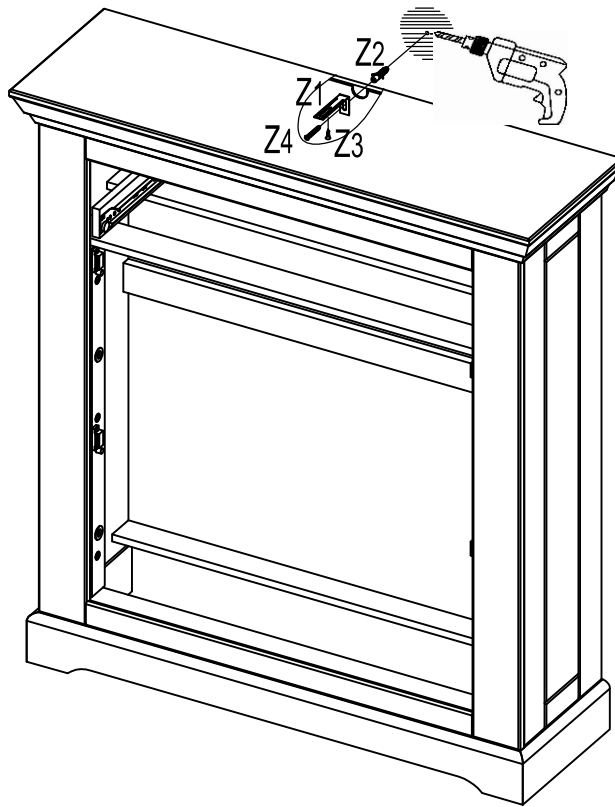
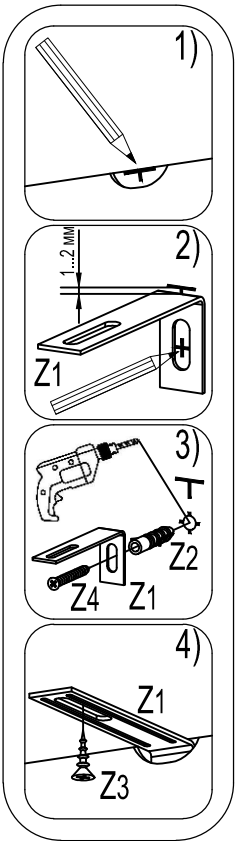
14

G 220043
1,2x20 x2



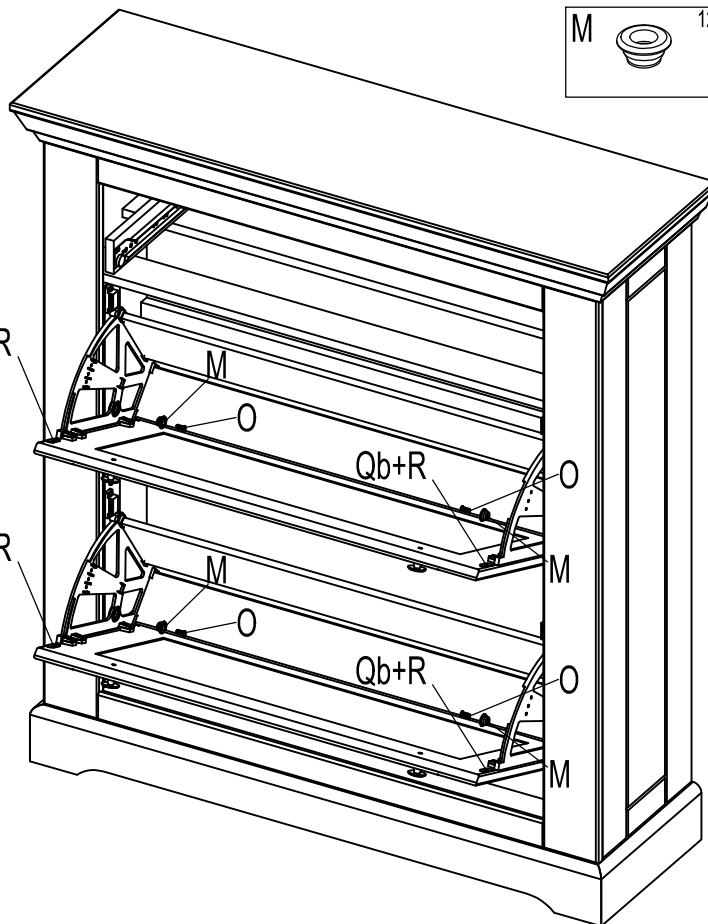
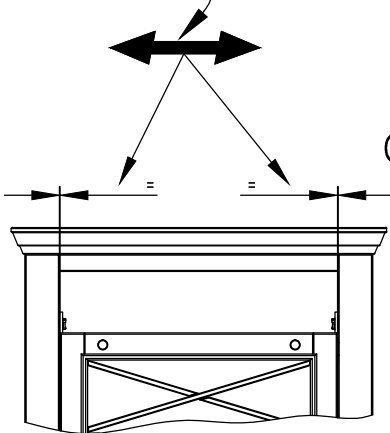
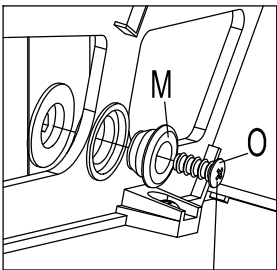
8-10

15

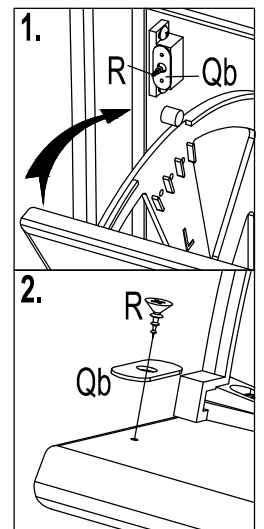


Z1	180080		
		x1	
Z2	090001		
Ø8x50		x1	
Z3	250012		
3,5x15		x1	
Z4	250069		
5x50		x1	

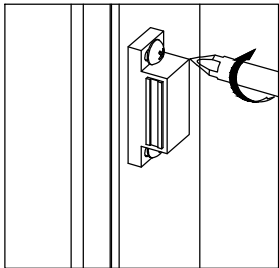
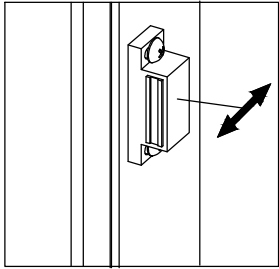
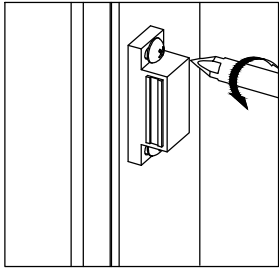
16



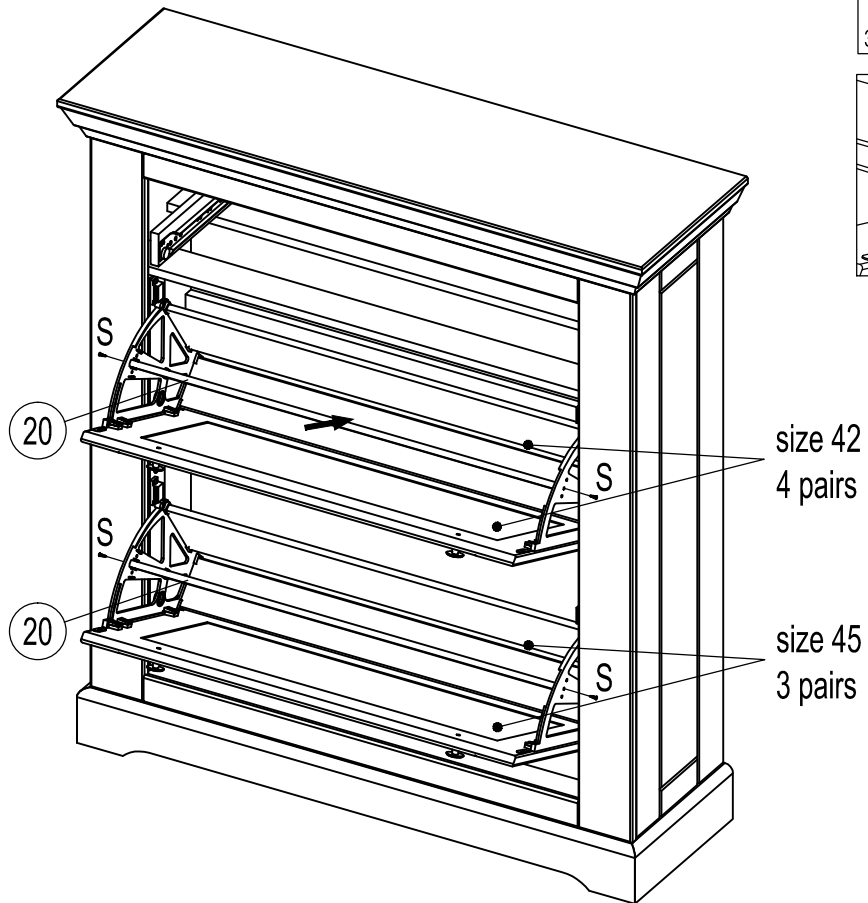
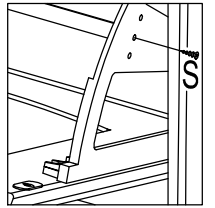
M	120004		
		x4	
O	030028		
6,3x13/Ø9		x4	
Q	110012		
b)		x4	
R	250001		
2,5x16		x4	



17

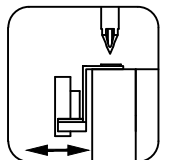
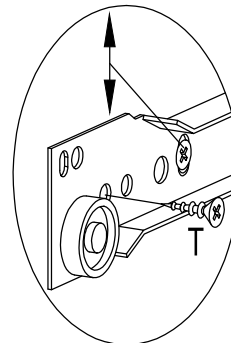
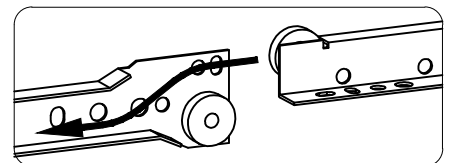
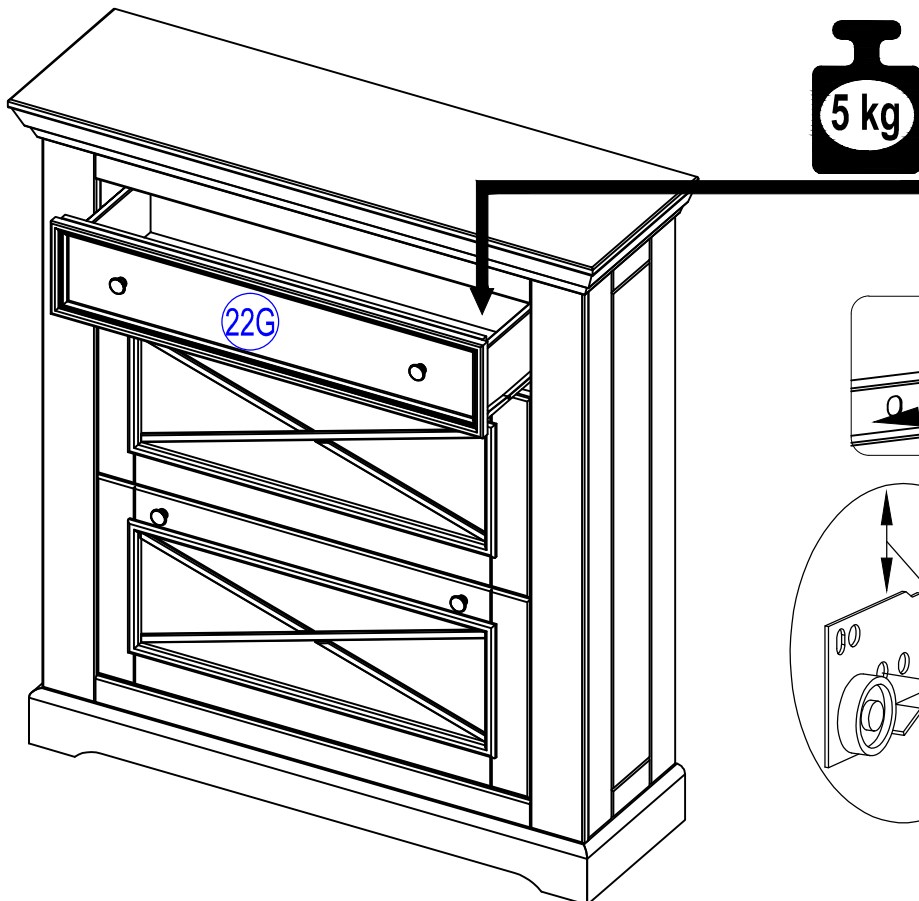


S 250004
3x13 x4



18

T 250012
3,5x15 x2



10-10